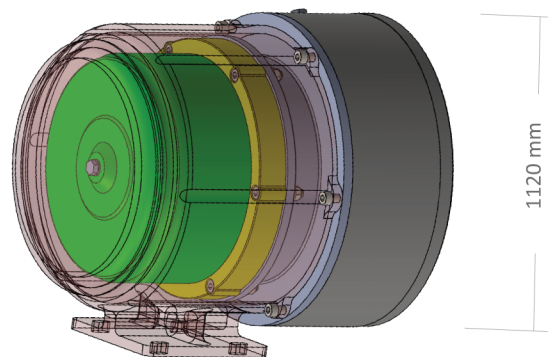
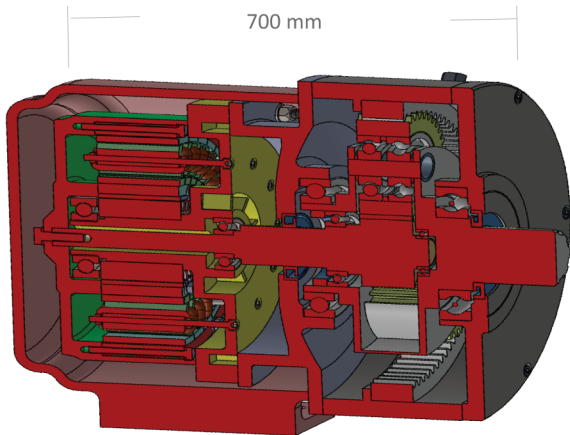
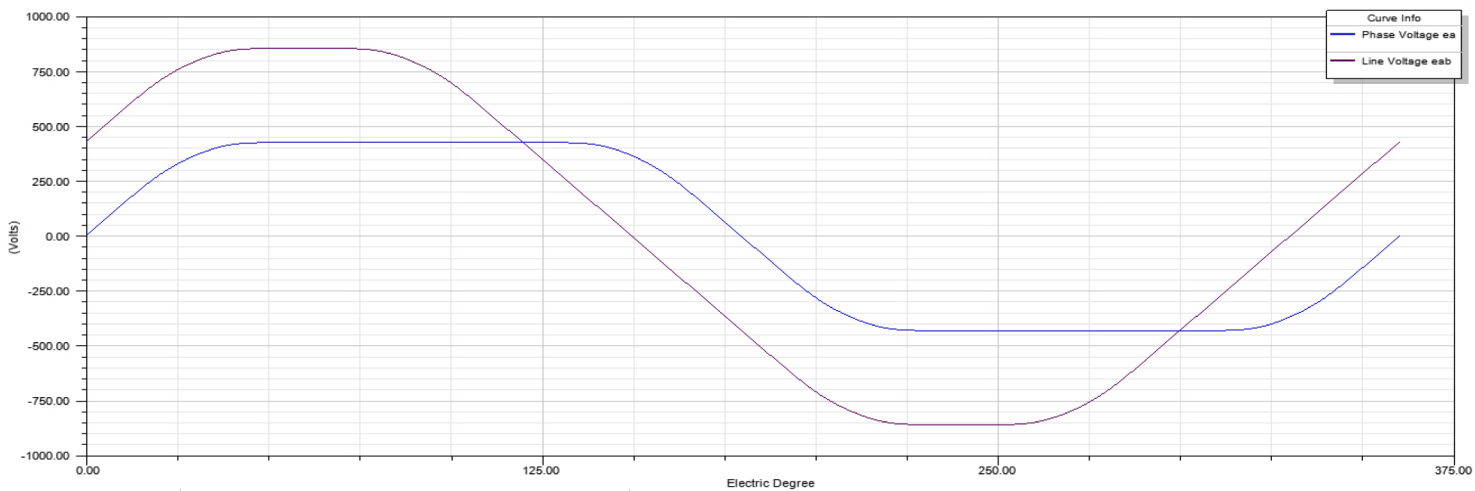
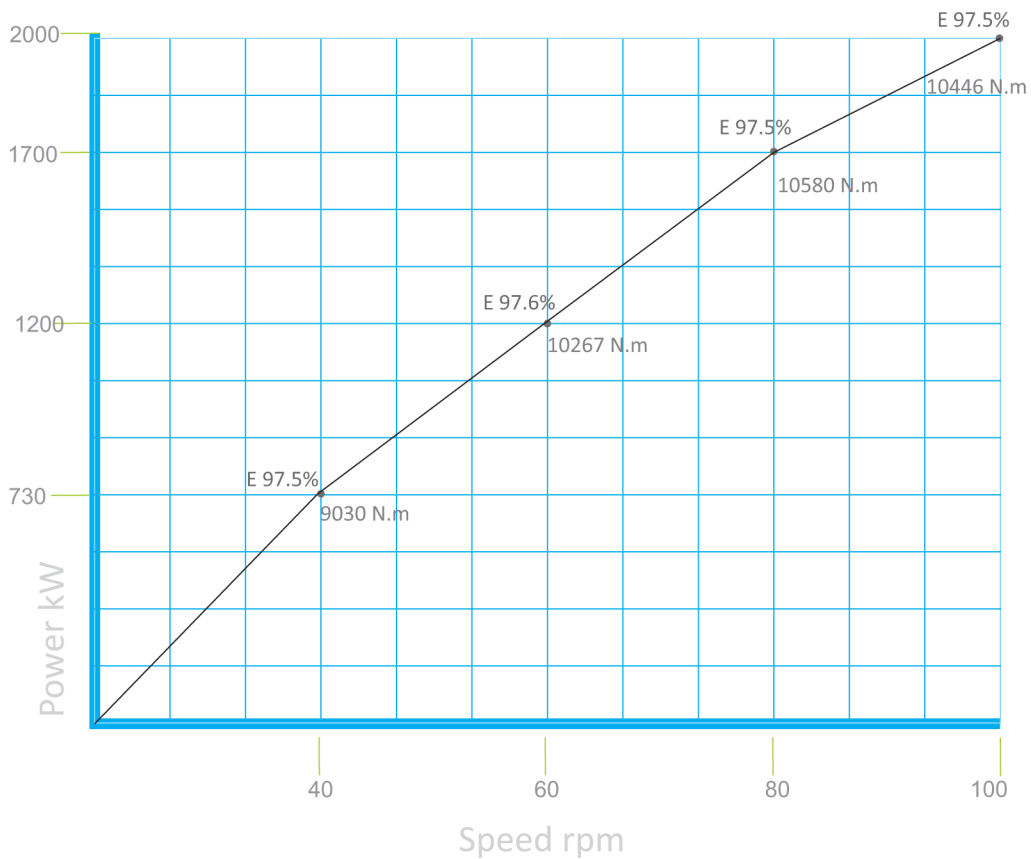


PMG 1200PH	
Power [kW]	1200
Speed [rpm]	60
Voltage [V]	400
Short Circuit Current [A]	3776
THD	2.9
Power factor	0.92
Weight [ kg ]	468
Efficiency [100% load]	97.6
Efficiency [75% load]	97
Efficiency [50% load]	96.2
Efficiency [25% load]	95.5
Protection class	IP54
Insulation class	F
Thermal class	B
Torque [N.m]	10267
Cooling	Air-to-liquid



PMG 1200PH