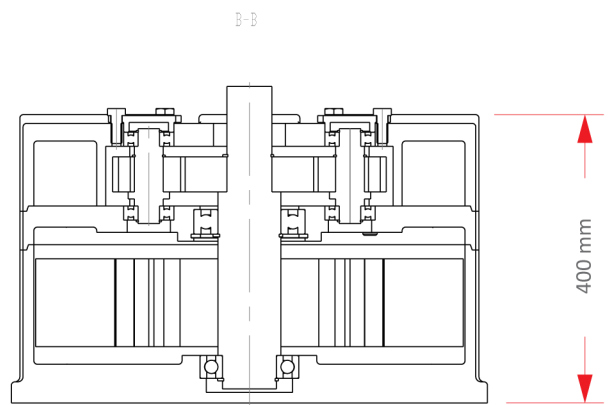
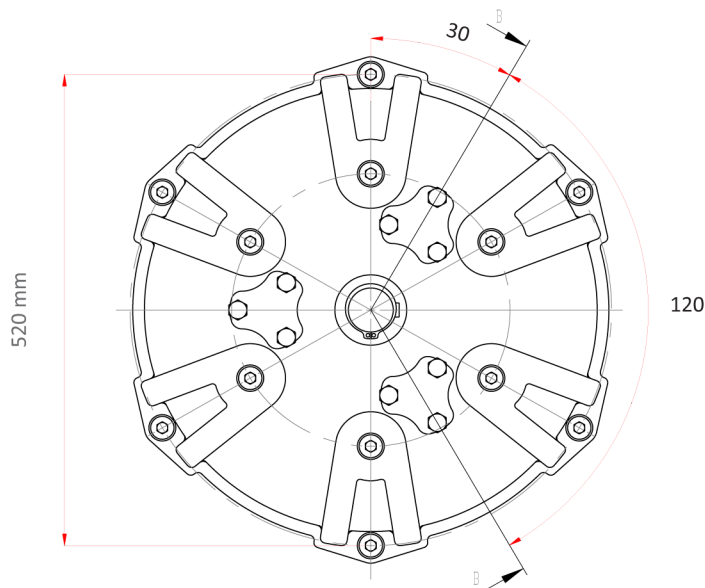
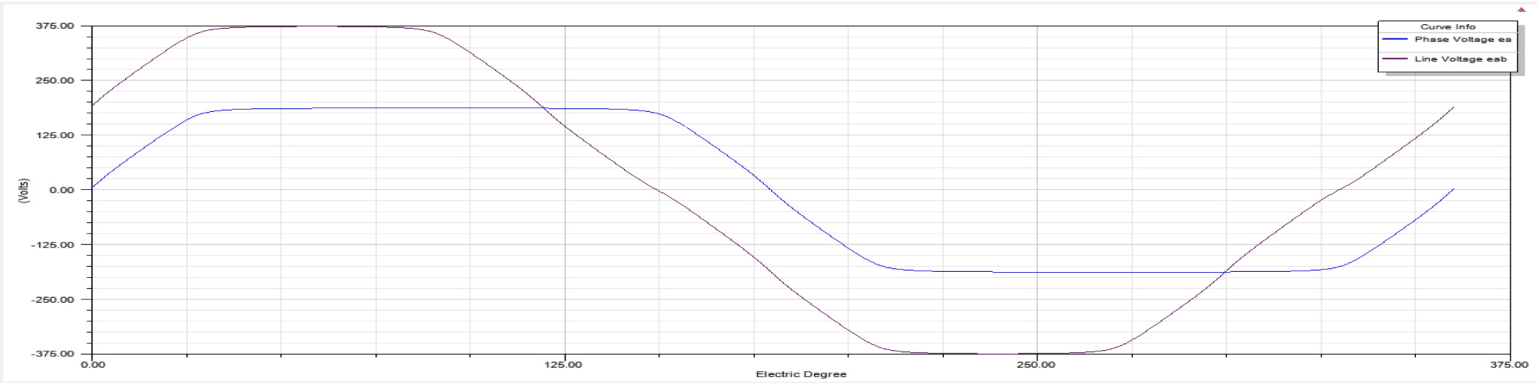
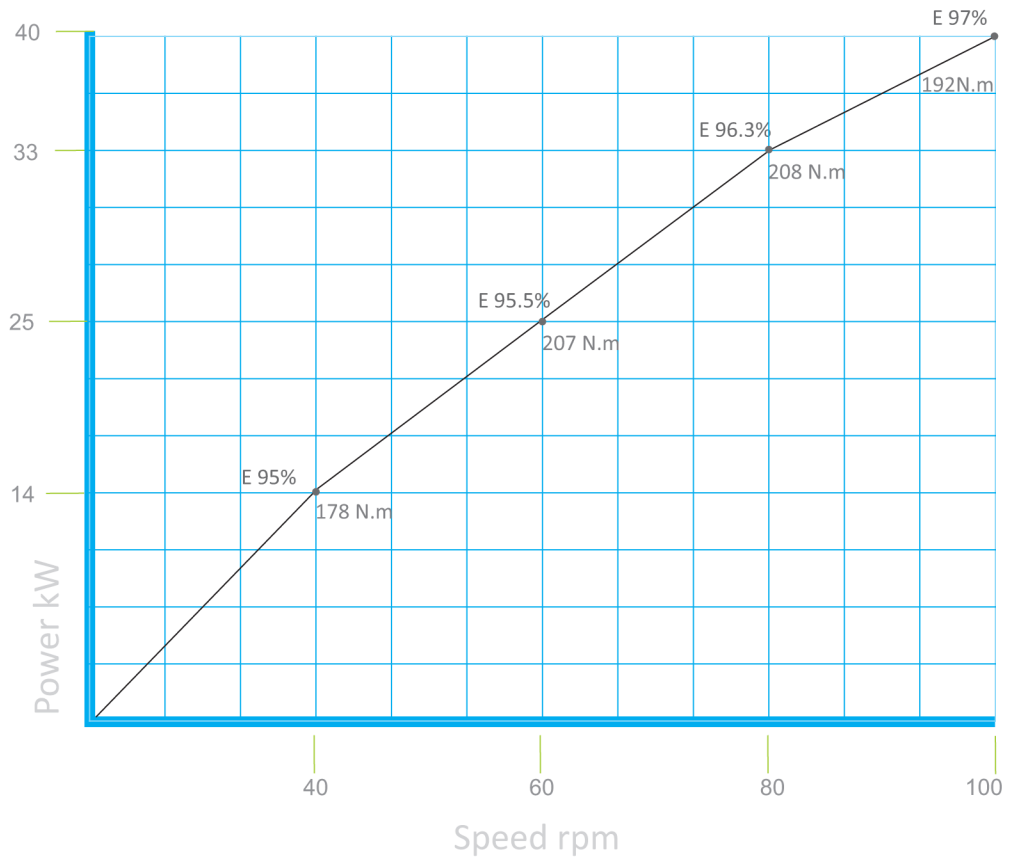


PMG 25PV	
Power [kW]	25
Speed [rpm]	60
Voltage [V]	220
Short Circuit Current [A]	193
THD	3.7
Power factor	0.91
Weight [kg]	82
Efficiency [100% load]	95.5
Efficiency [75% load]	94.9
Efficiency [50% load]	94.3
Efficiency [25% load]	93.7
Protection class	IP54
Insulation class	F
Thermal class	B
Torque [N.m]	207
Cooling	Air-to-liquid



PMG 25PV